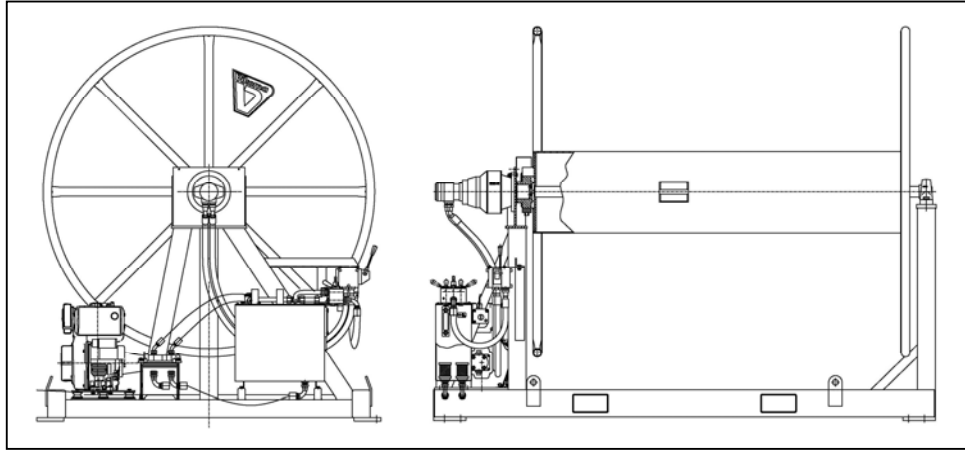


# TYPE 400P REEL COMPLETE WITH FORKLIFT POCKETS

TECHNICAL SPECIFICATION 9/82



Part No HI/0421

Issue 4 PL\_190411

### Application

Type 400 reels are used for the deployment, recovery and storage of oil recovery containment booms. This particular reel is fitted with an integral power pack. The reel base frame is fitted with fork pockets, lifting eyes.

### Dimensions

Length	192 cm
Width	281 cm
Height	220.5 cm
Weight	1420 Kg (empty of boom)

### Hydraulics & Drive

Reel drive	Double stage planetary gearbox driven by hydraulic motor	
Drive speed	Variable	0-12 rpm
Requirements	Max flow	53 l/min
	Max pressure	140 bar

### Shipping Details

Reel dimensions as shown. Shipping weight of reel is dependant on type and quantity of boom supplied

### Construction

Reel structure & spool	Mild steel tube, sheet & box section.
Lifting	4 lifting points in reel base frame.
Paint system	Epoxy primer with two part sprayed and baked polyurethane top coat Orange RAL 2008

# TYPE 400P REEL COMPLETE WITH FORKLIFT POCKETS

## TECHNICAL SPECIFICATION 9/82

### INTEGRAL POWER PACK

The modern low noise diesel / hydraulic power pack supplies the necessary pressure and flow to operate the reel.

#### Construction

The power pack is mounted on the reel base frame.

#### Engine

Single cylinder, air-cooled, low noise diesel with electric and hand start.

Max power	7.4 kW @ 3600 rpm
Electrics	12 volt maintenance free battery and alternator charging system
Safety devices	Optional automatic overspeed shutdown valve and exhaust spark arrestor.

#### Capacities

Diesel fuel	5.5 litres
Hydraulic oil	38 litres
Engine Lube oil	1.65 litres

### POWER PACK HYDRAULICS

#### Power Output

Tandem pump system with manual selector valves allows high utilisation of engine power across full range of hydraulic flow.

Flow rate	Max 53 l/min (variable by engine speed and pump selector valves).
Pressure	Max 140 bar (max pressure & max flow not simultaneous).

<b>Filtration</b>	Re-usable suction strainer Return filter
-------------------	---

<b>Controls</b>	On/Off lever Pump selector valves. Pressure relief valve (factory set)
-----------------	--

### STANDARD ANCILLARIES

1 x Four legged lifting sling for reel (LS/4615)	2 x Operating and maintenance manuals
--	---------------------------------------

### OPTIONAL ACCESSORIES

Overall PVC protective cover (8082CV)	Spares kit (SK/0147)
Spark Arrestor (KA/5041)	Automatic overspeed shutdown valve (KA/5076)