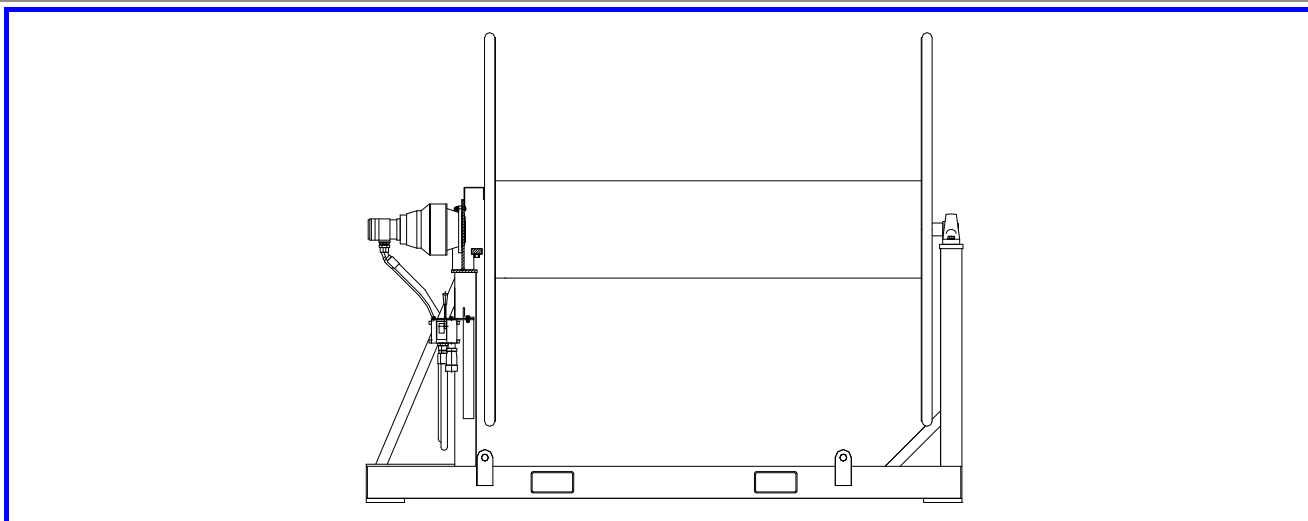


TYPE 400 REEL

C/W FORK LIFT POCKETS

TECHNICAL SPECIFICATION 9/64



Part No. HI/0422

Issue 2 PL111108

Application

Type 400 reels are used for the deployment, recovery and storage of oil recovery containment booms. The reel base frame is fitted with fork pockets for easy manoeuvring.

Dimensions

Length	185 cm
Width	280 cm
Height	220.5 cm
Weight	1200 Kg

Shipping Details

Reel dimensions as shown. Shipping weight of reel is dependant on type and quantity of boom supplied

Construction

Reel structure and	Mild steel tube, and spool box section
Lifting	Four tested lifting points integrated in the reel base frame
Paint system	Epoxy primer with two part sprayed and baked polyurethane top coat - Orange RAL 2008

Hydraulics

Reel drive	Double stage planetary gearing driven by rotary lobe hydraulic motor.	
Connections	Pressure	¾" QRC female
	Return	1" QRC male
Drive speed	Variable	0-12 rpm
Requirements	Maximum flow	53 l/min
	Maximum pressure	140 bar

Controls

Lever operated control valve - Deploy / Stop / Recover

Power Pack Application

The GP10-2 Diesel/hydraulic power pack supplies the necessary pressure and flow to operate the Type 400 reel (see technical specification KA/5001 for full details).

STANDARD ANCILLARIES

1 x Four legged lifting sling for reel (LS/4615) 2 x Operating and maintenance manuals

OPTIONAL ACCESSORIES

Overall cover (8036CV)