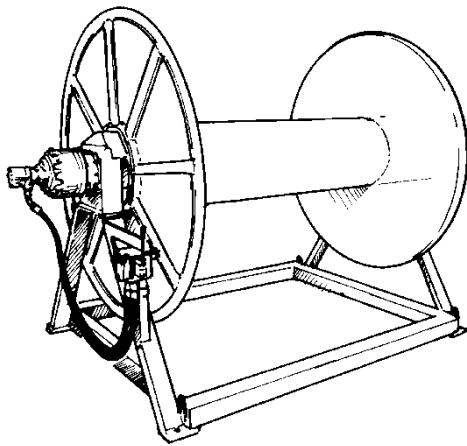
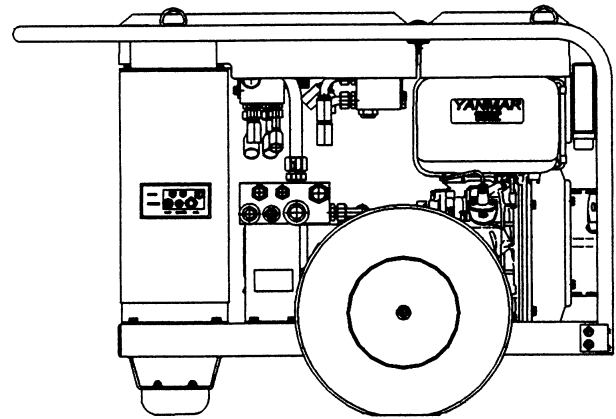


TYPE 200 REEL SYSTEM

TECHNICAL SPECIFICATION 9/02



Type 200 Reel



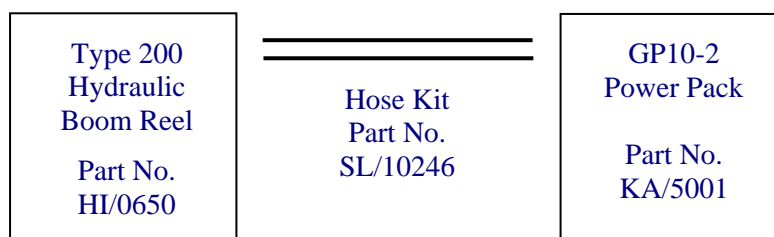
GP10-2 Power pack

Part No OS/0002

Issue 4_PL050506

System Description

The system consists of a Type 200 reel, a diesel/hydraulic power pack and hose kit. The reel can be used for the deployment, recovery and storage of containment boom.



HOSE KIT

Part No. SL/10246

Hydraulic 2 x 10m length hoses $\frac{3}{4}$ " NB and 1" NB fitted with quick release couplings to the reel and power pack