

T6 FLOATING OIL SKIMMER

TECHNICAL SPECIFICATION

T6 FLOATING OIL SKIMMER

Part No TD/0130

Application

The T6 oil recovery skimmer is designed for continuous use in both hazardous and corrosive environments in situations where water levels may vary significantly. The T6 skimmer will remove a wide range of floating oils at a maximum oil recovery rate of up to 6 tonnes per hour, dependant on viscosity and oil thickness, with a typical free water content of around 2%. The skimmer can be supplied with a positioning system which holds the skimmer on station, whilst allowing free vertical movement.

Dimensions

Length	93cm
Width	87cm
Height	69cm
Weight	54Kg

Construction

Floats and structure	Stainless steel
Lifting rings	4 - Stainless steel
Discs	2 - Stainless steel
Disc size	600 mm with 25 mm wide rim
Oil scrapers	Carbon filled PTFE

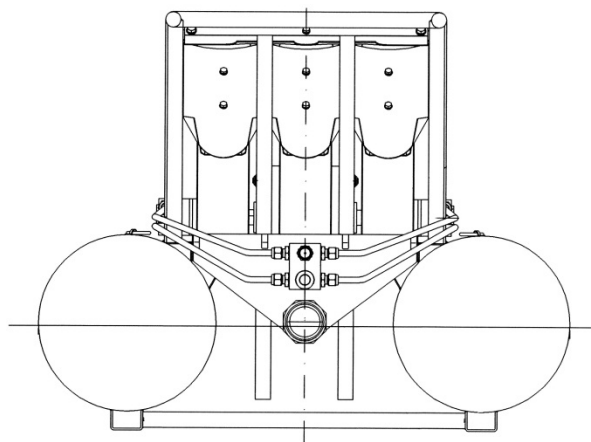
Hydraulics

Disc motors	2 - Direct drive hydraulic
Disc speed range	Variable 2 - 50 rpm
Hydraulic demand	0.2 - 5 l/min @ 70 bar
Connections	Quick release couplings (QRCs) Pressure 3/8" male QRC Return 3/8" female QRC

(Note: On Vikoma equipment, hydraulic flow is from the female coupling.)

Discharge

Discharge outlet	2" male camlock (s/s)
------------------	-----------------------



Shipping Details

Length	98cm
Width	91cm
Height	85cm
Weight	80Kg

Standard Equipment

Operation and maintenance manual
Lifting sling (LS/4619)

Optional Accessories

Spares kit (SK/0027)
Rain shield (TD/0419)*

* only for use on non-ATEX skimmers