

SITEPRESS PORTABLE VULCANISING MACHINE PS/0100

Application

The sitepress is a small portable press specifically designed for the repair of neoprene booms. This press provides accurate control of both the temperature and pressure.

Dimensions

Length	50cm
Width	42cm
Height	57cm
Weight	50Kg

Construction

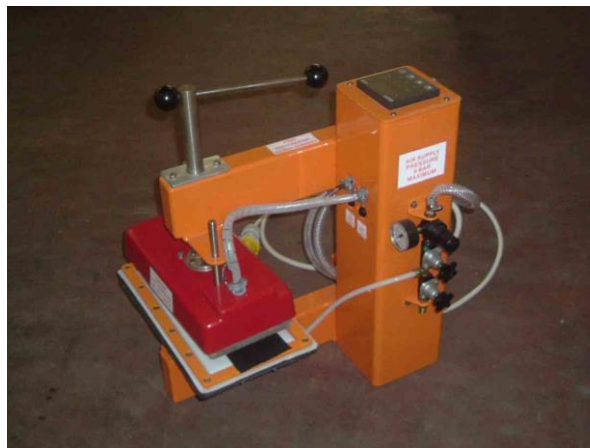
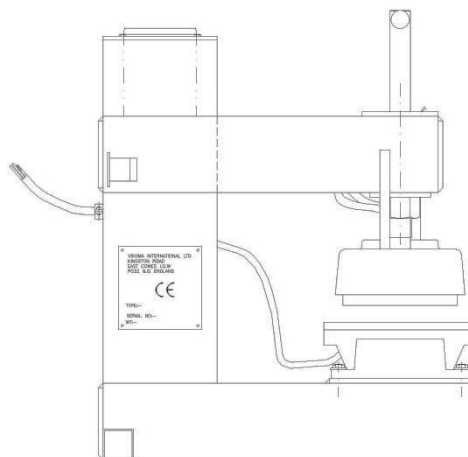
Frame	mild steel box section
Platens	aluminium fabrication and casting with neoprene press bag

Instrumentation

- Temperature control factory set
- Optimum temperature 155°C pre-set
- Air pressure gauge
- Air pressure regulator
- Relief valves

Requirements

Air	5 bar
Electrical	110V AC / 7 amps



Shipping Dimensions

Length	60cm
Width	50cm
Height	70cm
Weight	75Kg

Standard Equipment

- Operation & maintenance manual
- Air supply connection 3/8" NB hose

Optional Accessories

- Spares kit (SK/1053)