

PAR PUMP
(ELECTRICALLY OPERATED TRANSFER PUMP)
Part No KB/2546

Application

This electrically driven transfer pump can be used in conjunction with the K1500 Electric Skimmer or the Komara Mini Electric Skimmer. It is battery powered (battery not supplied). The pump unit and battery locator are mounted on a carrying base. The pump is a single diaphragm type and is tolerant of dry running.

Dimensions

Length 59cm
Width 41cm
Height 18cm
Weight 4Kg

Electrical requirement

12V at 7.5 amp nominal

Connections

Suction/discharge 1.5" hose connection

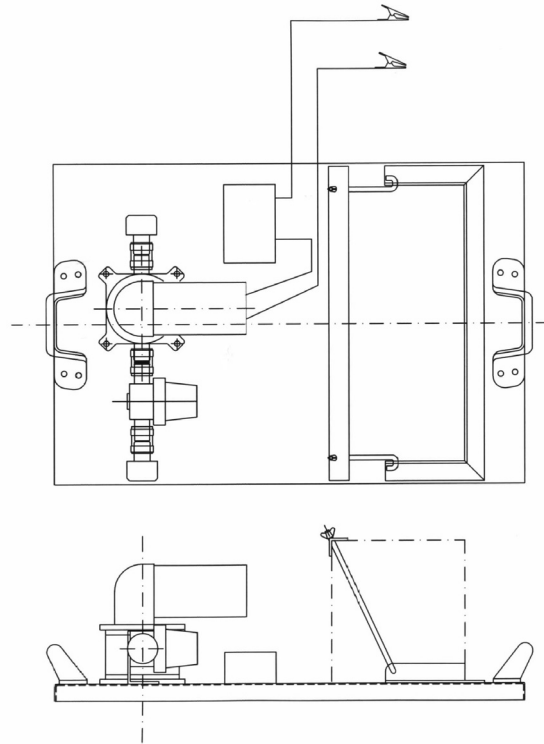
Construction

The carrying base is made of mild steel sheet with carrying handles and battery holder. It is painted with 2 coats epoxy primer and 2 coats polyurethane top coat RAL 2008 orange.

Performance

Max. suction head 1.5m self prime
Total head 3m max. recommended
Max flow rate 13 ltr/min

(Note. Flow rate will vary with viscosity and head).



Shipping Details	
Length	63cm
Width	45cm
Height	22cm
Weight	10Kg
Standard Equipment	
Operation and maintenance manual	
Optional Accessories	
Spares kit (5125PP)	