

SD100 STAR DISC / BRUSH SKIMMER

TECHNICAL SPECIFICATION

SD100 STAR DISC/BRUSH SKIMMER

Part No **HU/0450 (Disc & Brush)**
HU/0490 (Disc only)
HU/0495 (Brush only)

Application

The SD100 Star Disc/Brush Skimmer is a very versatile oil skimmer capable of recovering a wide range of viscosities. The skimmer houses two powered oil recovery modules which recover oil to a central hopper with an onboard pump mounted directly beneath. Star Disc recovery modules are intended for recovery of very heavy oil. Brush modules are used for recovery of lighter and emulsified products. Recovery rates of viscous and emulsified oils can be up to a maximum of 100m³/hour. Efficiency of oil pickup can be very high and can exceed 95% (oil to free water).

Dimensions

Length 225 cm
Width 137 cm
Height 128 cm
Weight 437 kg (without hoses)
Draft 61 cm

Construction

Body Marine grade aluminium
Buoyancy 4 built in compartments with additional closed cell buoyancy foam
Star discs Aluminium alloy, two banks
Wipers (star disc) Urethane
Brush Two banks of brush modules
Comb Stainless Steel
Drive speed Variable to 40 rpm max
Drive Orbital rotor hydraulic motors
Lifting Central lifting point
Forklift pockets

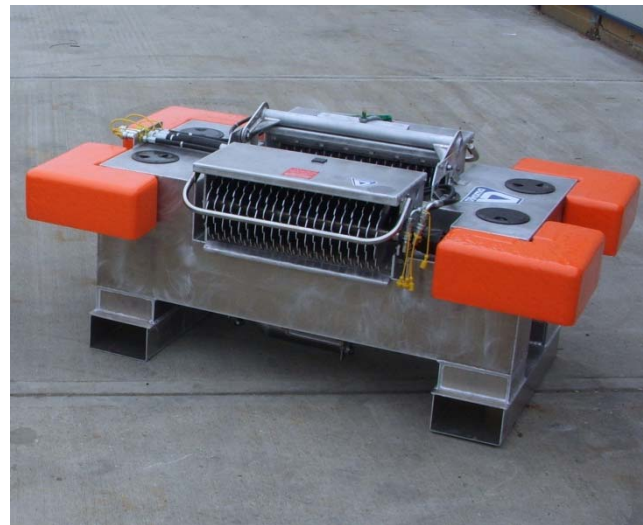
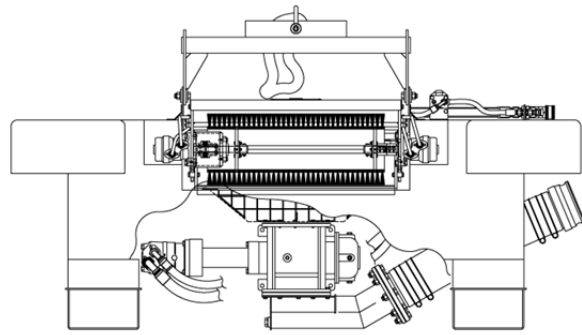
Hydraulics

Operating pressure 160 bar (200 bar max.)
Connections Quick release couplings (QRCs)
Brush/Discs 20 litres/minute
Pressure 3/8" QRC male
Return 1/2" QRC female
Pump 125 litres/minute
Pressure 3/4" QRC male
Return 1" QRC female

(Note: on Vikoma equipment, forward hydraulic flow is from the female coupling).

Integral Transfer Pump

Type Lobe pump mounted under body
Drive Orbital rotor hydraulic motor
Discharge pressure 6.5 bar
Discharge outlet 6" male camlock
Solids handling 25 mm



Shipping Details (skimmer/hoses)

Length 238cm
Width 149cm
Height 129cm
Weight 728Kg

Standard Equipment

Operating and maintenance manual
Lifting sling (SE/6035)

Optional Accessories

Storage cassette with fork pockets, used with dual function system for spare disc or brush modules (HU/0489)
Polyurethane cover for skimmer (8055CV)
Water injection kit to improve pumping capability of viscous oils (OS/0059 Includes water pump unit (WI/0035), head kit (WI/0020), water injection hoses & hydraulic hoses)
HU/0450 Spares kit (SK/0958)
HU/0490 Spares kit (SK/0959)
HU/0495 Spares kit (SK/0962)

oil recovery skimmers