

KEBAB K4 SKIMMING SYSTEM

TECHNICAL SPECIFICATION

KEBAB K4 SKIMMING SYSTEM

Part No OS/0660

Application

The Kebab K4 skimmer system is a highly efficient oleophilic disc skimmer system mounted in a wheeled trolley. The compact Kebab K4 skimmer is ideally suited to removing oil from water where space is limited, e.g. beneath manhole covers. The IMP 20 is a robust pump unit with good suction characteristics. The Kebab K4 electric Dual controller provides 12 volt DC power from an A/C or D/C source. Disc speed and Pump speed are both pulse width modulation (PWM) controlled to ensure high torque delivery and precise control for both discs and pump across the full range of operating speeds.

Dimensions

Length	81cm
Width	88cm
Height	131cm
Weight	42kg

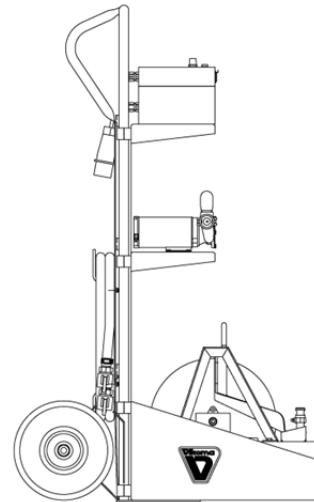
Electrical Connections

Input connections are IEC 60309 standard.

Input for A/C	90-250V
Input for D/C	12-24V
Output for skimmer	12V @ 3A
Output for Pump	12V @ 20A

Hose Kit

Suction	4m length 3/4" NB with quick release couplings on both ends
Discharge	2m length 3/4" NB with quick release couplings on both ends
Rope	10m x 8mm dia. nylon rope



Shipping Details

Length	85cm
Width	63cm
Height	150cm
Weight	100Kg

Standard Equipment

Operation and maintenance manual

Optional Accessories

Spares kit