

GP7 POWERPACK

TECHNICAL SPECIFICATION



powerpacks

GP7 POWERPACK

Part No HP/0001

Application

The Vikoma GP7 is a highly portable light weight powerpack. The GP7 can be split into two parts, engine module and hydropac module, for easy transport by two people over rough terrain. The powerpack may be used to provide power for the Komara Mini Skimmer System as well as other Vikoma equipment.

Dimensions

Length 87cm
Width 54cm
Height 56cm
Weight 87Kg
(Made up of two modules
45Kg and 42Kg respectively)

Performance

23 l/min divided as follows:
1/2" QRC: 0-19 l/min @ 85 bar
3/8" QRC: 0-4 l/min @ 75 bar
(Variable using control valves)

Engine

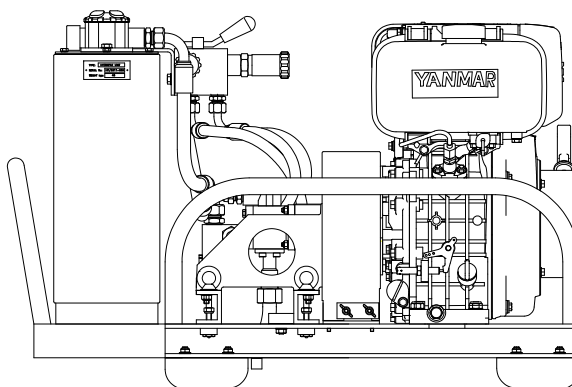
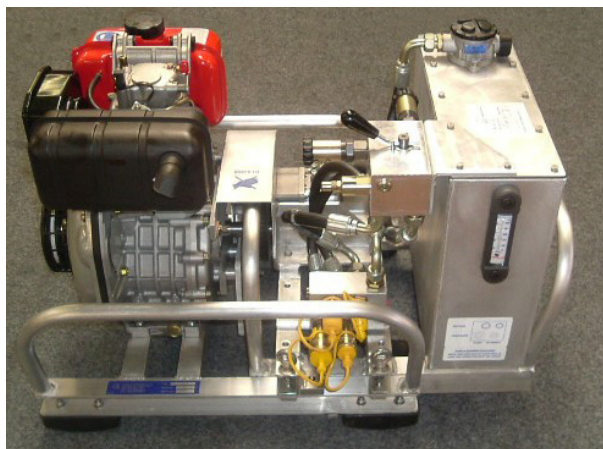
Single cylinder diesel 4.9 kW @ 3600 rpm
Fuel tank capacity 2.7 litres
Running time at 50% load 4.5 hours

Hydraulics

Fixed displacement gear pump
Hydraulic tank capacity 20 litres
Filtering Reusable suction strainer
Return filter
Hydraulic connections Quick release couplings (QRCs)
Pressure female
Return male

Instrumentation / Controls

Double output flow control block
Pump manual by-pass
Oil level / temperature gauge
Pressure relief valve



Shipping Details

Length 90cm
Width 66cm
Height 66cm
Weight 110Kg

Standard Equipment

Operation & Maintenance Manual
Tool Kit (MP/0020)

Optional Accessories

Spark Arrestor (MV/0060)
Automatic Overspeed Shutdown (MV/0072)
Overall PVC Cover (8177CV)
Spares Kit (SK/0078)