

# GP20-2 POWERPACK

## TECHNICAL SPECIFICATION

### GP20-2E POWERPACK

Part No KA/6015 (electric and hand start)

#### Application

The GP20-2 power pack is a diesel driven unit used to provide hydraulic power to Vikoma oil recovery and other equipment.

#### Dimensions

Length	123cm
Width	77cm
Height	80cm
Weight	170Kg (without fuel/oil) 205Kg (with fuel/oil)

#### Construction

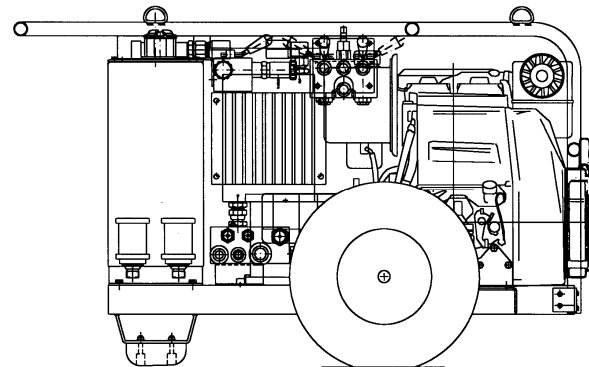
Base frame	Stainless steel
Hydraulic tank	Mild steel
Upper frame	Stainless steel tube
Paint finish	Mild steel work shot blasted, 2 coats epoxy primer and 2 coats polyurethane enamel - RAL 2008
Wheels	Tyre on steel rim with nylon axle bearings
Lifting	4 point lift

#### Performance

150 bar maximum system pressure.	
3/4" QRC	39 l/min @ 135 bar 58 l/min @ 100 bar (variable using engine speed and pump selector valve)
1/2" QRC	0-30 l/min @ 135 bar
3/8" QRC	0-6 l/min @ 125 bar (Variable using pump selector valve and flow control valves)

#### Engine

Twin cylinder, air cooled diesel	
Maximum power	12 kW @ 3600 rpm
Operating speed	Variable up to 3600 rpm
Hand starting	Recoil
Electric starting	Key ignition 12V battery charged via alternator on engine
Fuel tank	4 litres
Safety devices	Spark arrestor
Running time	2½ hours at 50% load



#### Shipping Details

Length	145cm
Width	85cm
Height	101cm
Weight	227Kg

#### Optional Accessories

Over speed shutdown valve (AI/0016)
Overall PVC cover for GP20 P/Pack (Standard)
Overall PVC cover for GP20 P/Pack (c/w Over speed shutdown)
Spares kit (SK/0135)
Lifting Sling (LS/4619)

### Hydraulics

Tandem gear pump driven at engine speed	
Hydraulic tank capacity	38 litres (hydraulic oil not supplied)
Filtering	Re-usable suction strainer Return filter
Hydraulic connections	Quick release couplings (QRCs) Pressure female Return male

### Instrumentation / Controls

#### Hydraulic

Hydraulic pump selector valve  
Double output flow control block  
Pump manual by-pass  
Oil level / Temperature gauge  
Pressure relief valve  
Cooler bypass

#### Engine

Key starter  
Heater plug switch and lamp  
Speed control  
Stop control