

ENGINE DRIVEN V190D PUMP

TECHNICAL SPECIFICATION



ENGINE DRIVEN V190D PUMP

Part No TP/0150-H (hand start)
TP/0150-E (electric start)

Application

The V190D is a robust, engine transfer pump with excellent suction characteristics. The positive displacement lobe pump is driven, via a toothed belt and centrifugal clutch, by a single cylinder diesel engine.

Dimensions

Length 86cm
Width 64cm
Height 70cm
Weight 119kg (approx)

Construction

Base frame Stainless steel
Wheels Steel rim, pneumatic tyre
Upper frame Stainless steel

System Performance

Maximum pressure 3.5 bar
Maximum flow 25 m³/hour

Engine

Single cylinder, air cooled diesel with electric or recoil hand start, fitted with Vikoma's half speed reduction gearbox.

Maximum power 4.9 kW @ 3600 rpm (P.T.O @1800rpm)

Operating speed Variable up to 3600 rpm

Hand starting Recoil

Fuel tank 3.5 litre

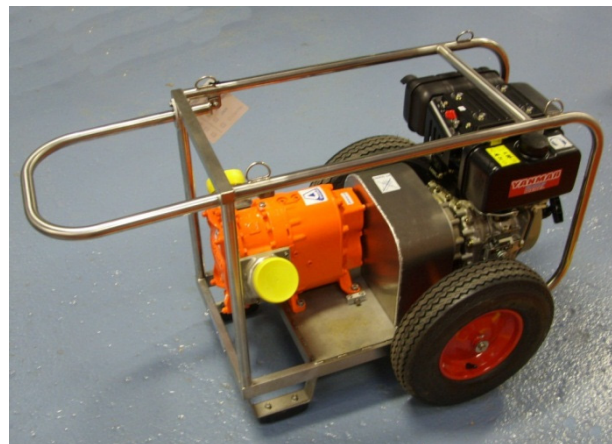
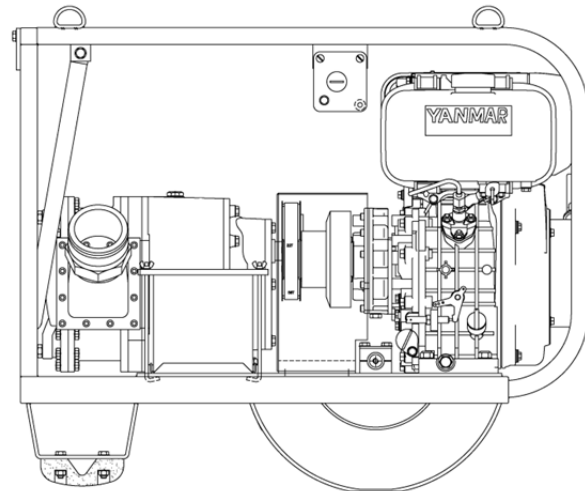
Transfer Pump

Heavy duty positive displacement lobe pump.

Body Aluminium

Lobes Nitrile

Connections: 3in camlock type (2 x male)



Shipping Dimensions

Length 112cm
Width 112cm
Height 105cm
Weight 220kg (approx)

Standard Equipment

Operation & maintenance manual

Optional Accessories

Spark Arrestor (MV/0060)
Auto Engine Shutdown (MV/0072)
Spares Kit (SK/2230)
Overall PVC cover

transfer pumps