

AIRPACK INFLATOR

TECHNICAL SPECIFICATION



AIRPACK INFLATOR

AP/0080-H (hand start)

AP/0080-E (electric start)

Application

The Vikoma Airpack Inflator is used to supply the necessary air inflation during the deployment of the Vikoma HI Sprint Boom™. Inflator is supplied with hose kit.

Dimensions

Length	84cm
Width	45cm
Height	59cm
Weight	68Kg (hand start) 77Kg (electric start)

Construction

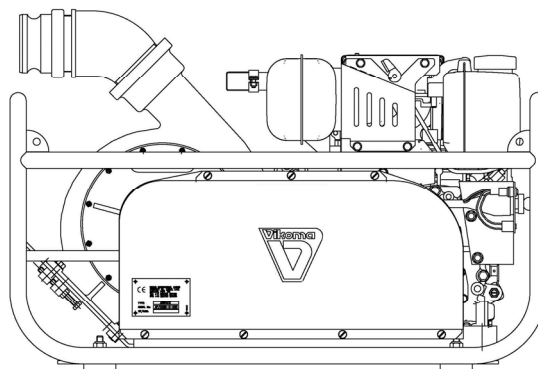
Frame	Aluminium alloy
Belt cover	Aluminium alloy

Engine

Single cylinder air cooled diesel.	
Continuous power	4.1kW @ 3300 rpm
Hand starting	Recoil
Electric starting	Key ignition
	12 volt battery charged by alternator on engine.
Fuel capacity	2.7 litres

Air Fan

Type	Centrifugal, high volume, low pressure
Drive	Vee belt system @ 2.4:1 increase
Controls	Fan output via engine speed
Maximum Output	16m ³ /min @ 8000 rpm
Pressure	69 mbar



Shipping Dimensions

Length	109cm
Width	60cm
Height	110cm
Weight	132Kg

Hose Kit

1 x 15m 3"NB flexible air feeder hose with quick release couplings at each end.

Standard Equipment

2 x operation & maintenance manuals
1 x lifting sling (LS/4619)

Optional Accessories

Automatic air intake shutdown valve (MV/0072)
Spark arrestor exhaust (AP/0088)
Deflation kit (AP/0068)
PVC cover (8037CV)
Spares kit (SK/0083-C)

boom ancillaries